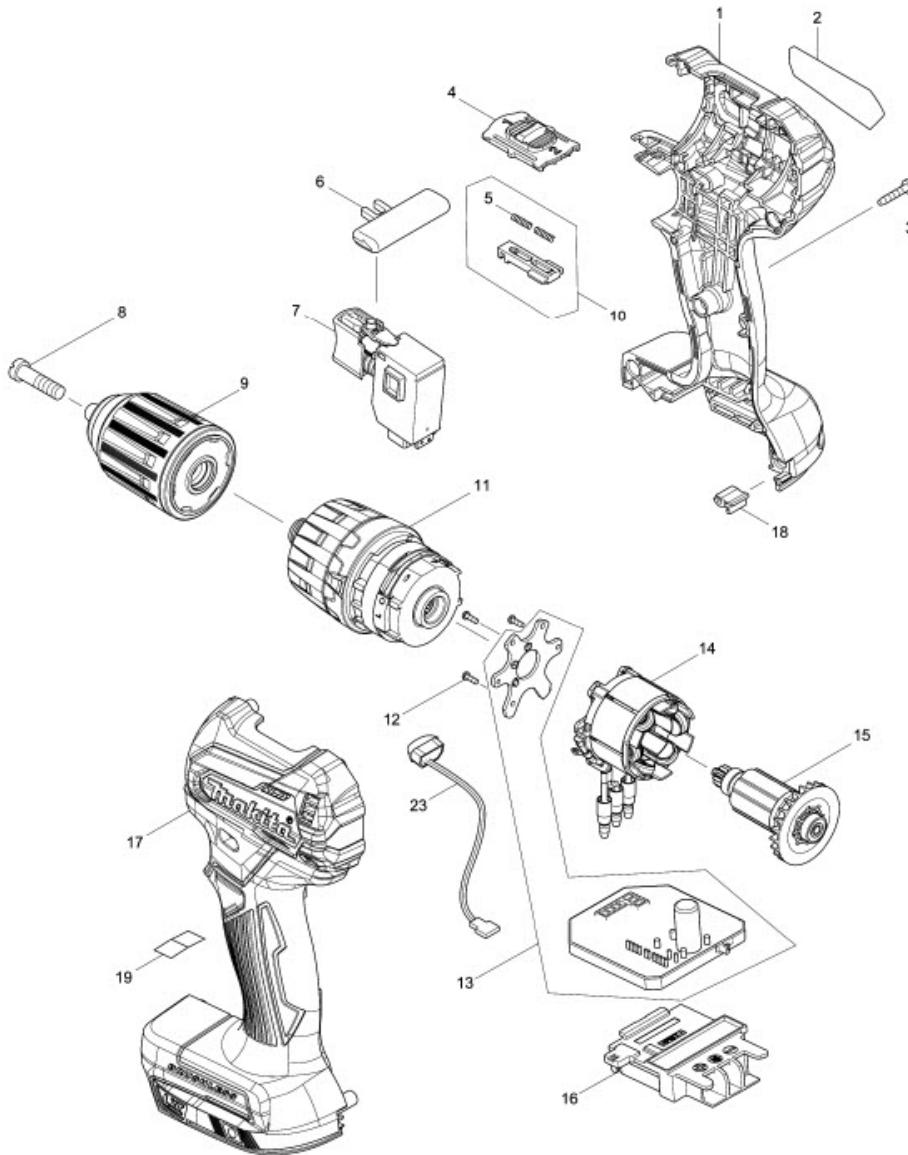


Part Diagram

Model No.DHP483 CORDLESS HAMMER DRIVER DRILL



Item	Sub	Parts No.	Parts Description	Qty
1		183E19-5	HOUSING SET	1
1	C10	263005-3	RUBBER PIN 6	2
1	C20	252126-6	HEX. LOCK NUT M4-7	2
1	D10		INC. 17	
2		852L52-7	DHP483 NAME PLATE	1
3		266429-2	TAPPING SCREW 3X16	8
4		457020-9	SPEED CHANGE LEVER	1
004-1		458382-8	SPEED CHANGE LEVER	1
5		233025-1	COMPRESSION SPRING 2	2
6		419041-9	F/R CHANGE LEVER	1
7		650689-0	SWITCH C3JW-2B	1
8		251468-5	- FLAT HEAD SCREW M6X22	1
9		763241-6	KEYLESS DRILL CHUCK 13	1
10		123587-6	CHANGE LEVER ASS'Y	1
10	D10		INC. 5	
11		123867-0	GEAR ASSEMBLY	1
011-1		123867-0	GEAR ASSEMBLY	1
12		266490-9	TAPPING SCREW PT 2X6	3
13		620555-5	CONTROLLER	1
14		629228-7	STATOR	1
15		619410-6	ROTOR	1
015-1		619410-6	ROTOR	1
16		643874-2	TERMINAL	1
17		183E19-5	HOUSING SET	1
17	C10	263005-3	RUBBER PIN 6	2
17	C20	252126-6	HEX. LOCK NUT M4-7	2
17	D10		INC. 1	
18		424517-3	CUSHION	1
23		620549-0	LED CIRCUIT	1
A01		251314-2	+ SCREW M4X12	1
A02		346317-0	HOOK	1
A03		784637-8	+/- BIT 2-45	1
A04		141856-3	PLASTIC CARRYING CASE COMPLETE	1
A04B	C10	162302-3	LATCH	2
A05		450128-8	BATTERY COVER	1
A06		***DC18RC	DC18RC FAST CHARGER	1
A06B	D10		COMPO-PARTS	
A07B		197600-6	BATTERY BL1830B SET	2
A07C		197280-8	BATTERY BL1850B SET	2
A07D		197265-4	BATTERY BL1840B SET	2
A07-1B		197600-6	BATTERY BL1830B SET	2
A07-1C		197280-8	BATTERY BL1850B SET	2
A07-1D		197265-4	BATTERY BL1840B SET	2